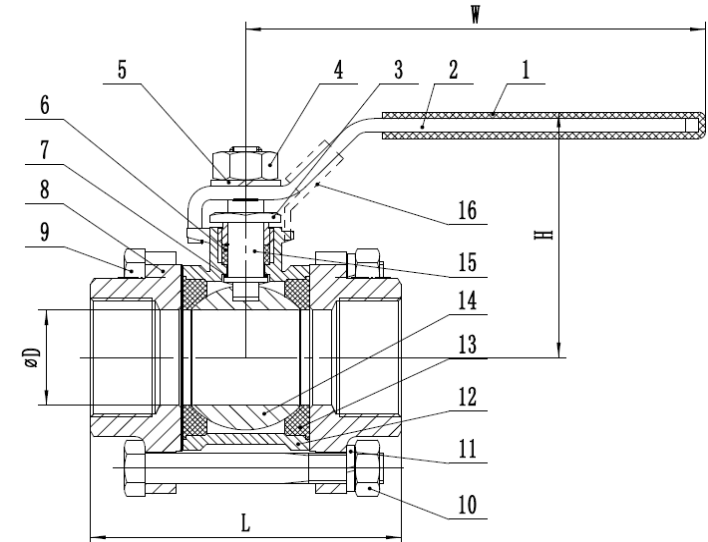




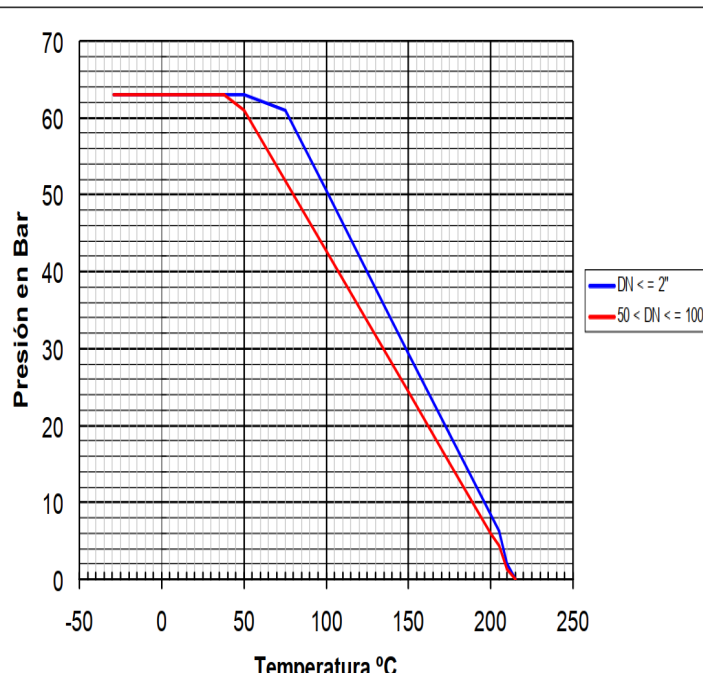
ART NO: 301 3PC Stainless steel full port ball valve

Features

1. 3PC Stainless steel full port ball valve,
2. Thread FF ends according ISO 228-1G
3. Made of Carbon steel body and cap
4. Ball seats PTFE + 15 % G.F.
5. Blow-out proof stem.
6. Stem gasket PTFE.
7. Locking system.
8. Max. Working pressure 63 bar.
9. Working Temperature $-25\text{ }^{\circ}\text{C} + 180\text{ }^{\circ}\text{C}$.
10. Applicable for Water, oil and Gas.



PRESSURE TEMPERATURE RATING



DIMENSIONS

Size	D±0.3	L± 1.6	H±3	W±3	Net weight kgs
1/4"	11	50	46	94	0.28
3/8"	12	50	46	94	0.27
1/2"	15	60	50	104	0.44
3/4"	20	70	60	113	0.61
1"	25	80	65	128	0.82
1"1/4	32	93	79	156	1.47
1"1/2	38	103	83	156	1.80
2"	50	125	99	194	3.22
2"1/2	64	158	128	246	6.51
3"	76	179	133	246	9.56
4"	94	223	175	317	20.47

ITEM	DESIGNATION	QTY	MATERIAL
1	HANDLE SLEEVE	1	PVC
2	HANDLE	1	304
3	GLAND NUT	1	304/316
4	STEM NUT	1	304
5	STEM WASHER	1	304
6	STEM PACKING	1	PTFE
7	THRUST WASHER	1	PTFE
8	END CAP	2	CF8/CF8M
9	BOLT	4(6)	304
10	NUT	4(6)	304
11	SPRING WASHER	4(6)	304
12	BODY	1	CF8/CF8M
13	BALL SEAT	2	RPTFE
14	BALL	1	CF8/CF8M
15	STEM	1	304/316
16	LOCKING DEVICE	1	304

HEADLOSS CHART

Kv VALUES

Kv = Flow rate of water in cubic meter per hour (m³/h) that will generate a pressure drop of 1 bar across the valve

1/4"	3/8"	1/2"	3/4"	1"	1 ¼"	1 ½"	2"	2 ½"	3"	4"
6	10	24	43	83	130	205	340	520	1100	1820

